

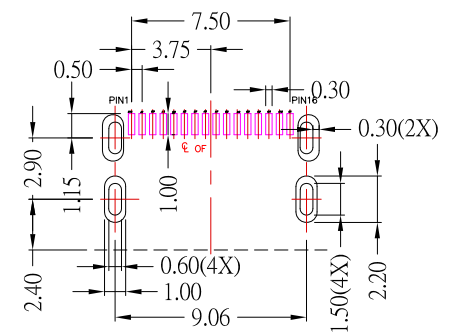
# IPX8



## SBC-WP160S4-20x-S165

鍍層厚度：  
Blank : 1u"  
2 : 15u"  
3 : 30u"

Pin	Signal	Description	Mating Sequence	Description	Signal	Pin
2	A1	GND	First	Ground return	GND	B12
/	A2	TX1+	Second	/	RX1+	B11
/	A3	TX1-	Second	/	RX1-	B10
4	A4	VBUS	First	Bus Power	VBUS	B9
6	A5	CC1	Second	Sideband Use (SBU)	SBU2	B8
8	A6	D+	Second	Negative half of the USB 2.0 differential pair-Position 1	D-	B7
9	A7	D-	Second	Positive half of the USB 2.0 differential pair-Position 2	D+	B6
11	A8	SBU1	Second	Configuration Channel	CC2	B5
13	A9	VBUS	First	Bus Power	VBUS	B4
/	A10	RX2-	Second	/	TX2-	B3
/	A11	RX2+	Second	/	TX2+	B2
15	A12	GND	First	Ground return	GND	B1



PCB LAYOUT(TOP VIEW)

### SPECIFICATIONS

#### Electrical:

1. Rating: 5.0 A
2. Contact Resistance: 40 mΩ Max
3. Insulation Resistance: 100 MΩ Min

#### Mechanical:

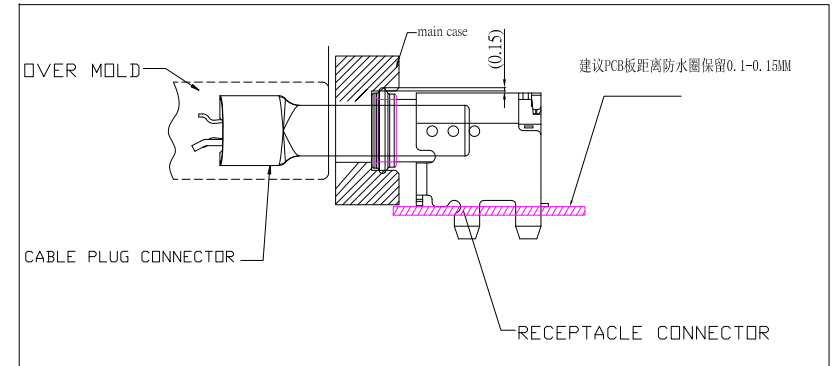
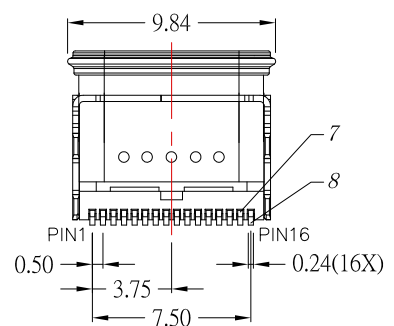
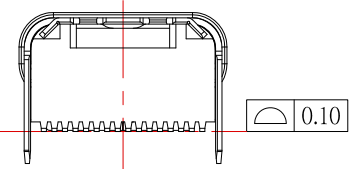
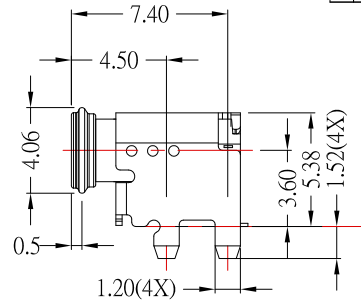
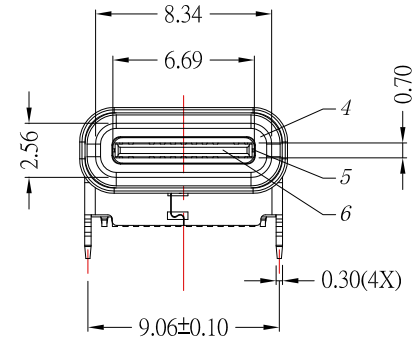
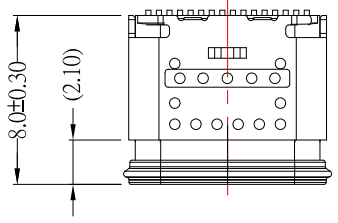
1. Connector Mate and Unmate Force
  - 1.1 Mate force: 5~20 N
  - 1.2 Unmate force: 8~20 N

#### Material:

1. Housing: PA46
2. Contact: C7025
3. Shell: SUS

#### Finish:

1. Contact: Plated Gold in Mating Area ;  
Gold Plated on Solder Balls ;  
Nickel under plated overall
2. Shell: Nickel under Plated surface layer



ITEM NO.	DESCRIPTION	DRAWN	DATE
3	更新MODEL敘述	Jack	051324
2	新增尺寸	Jack	051024
1	更新PCB LAYOUT尺寸和材質	Jack	050824

**CONTACT** 建倚科技股份有限公司  
CONTACT TECHNOLOGY CORP.

TOLERANCE UNLESS OTHERWISE STATED:  
Up to 5 ±0.2  
Above 5 ~ 15 ±0.3  
Above 15 ~ 30 ±0.4  
Above 30 ~ 50 ±0.5  
Angle ±0.3

3RD. ANGEL'S

UNITS MM

DRAWN BY:	DATE	MAT'L	TITLE	CONNECTOR
Jack Lu	05/13/24			
CHECKED BY:	DATE	FINISH	MODEL	USB C TYPE 2.0 Female 防水型 IPX8 (含防水膠圈)
Jacky Chen	05/13/24			
APPROVED BY:	DATE	SCALE	DWG NO.	SBC-WP160S4-20x-S165
Tony Kao	05/13/24	1 : 1		
		SHEET NO.	PART NO.	SBC-WP160S4-20x-S165
		1 of 1		
			SIZE	A4
			VER	R3